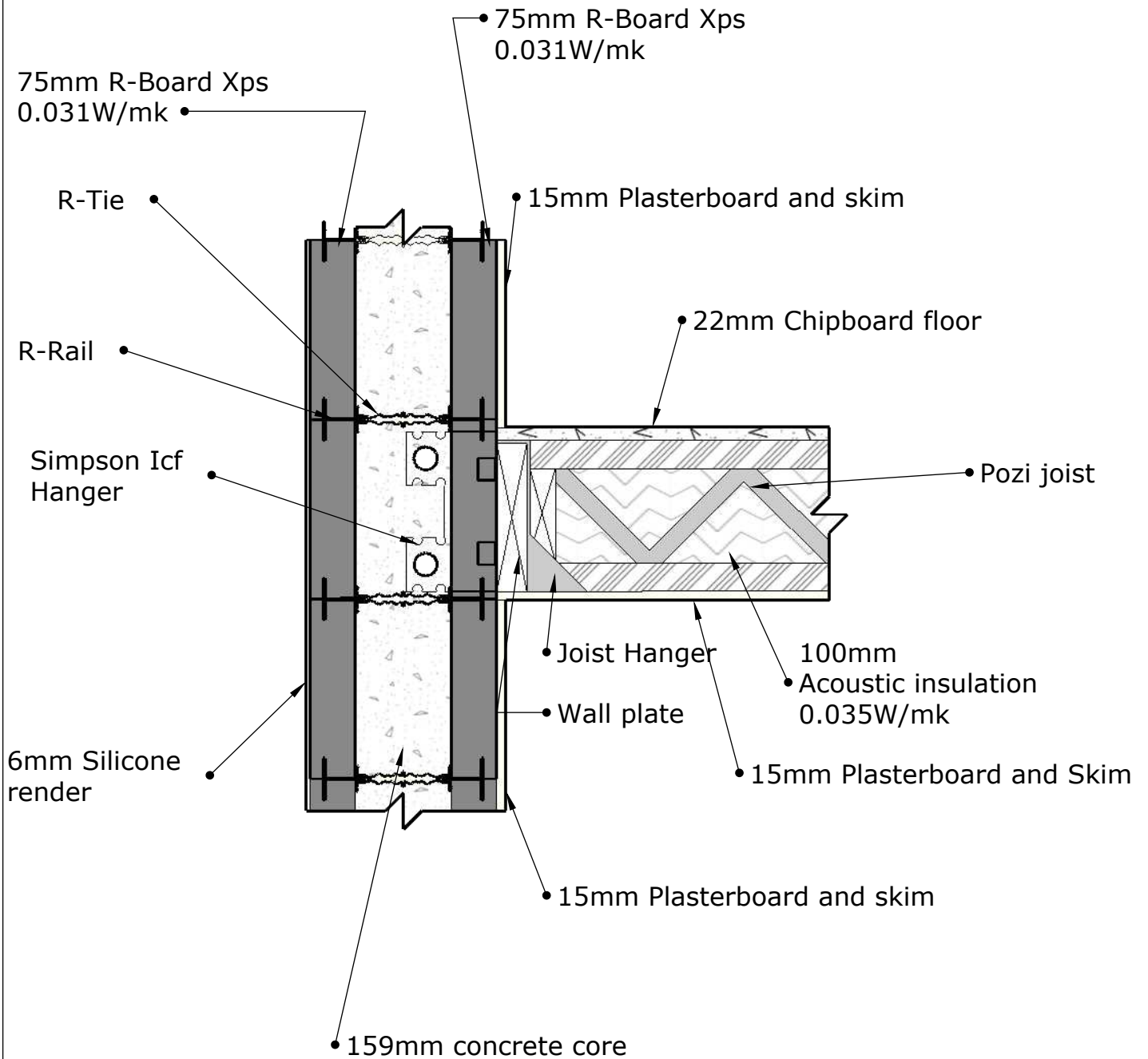


## R-Wall Timber Intermediate floor



TIF7515975

REV. NO.

DWG NO.

REV. DATE.

TIF7515975

DRAWN BY.

M.TREWIN

SCALE: 1:10